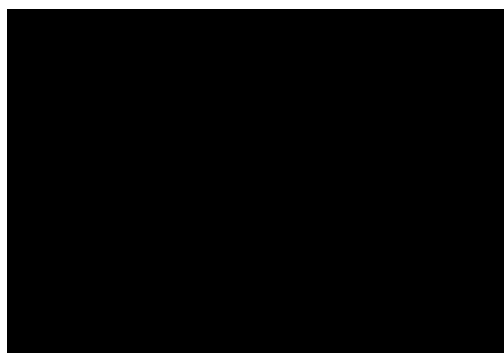
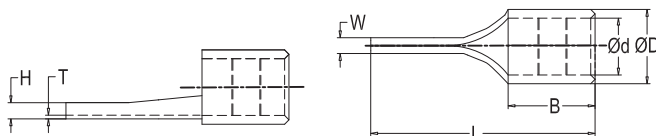


RCCN 日成KS裸端子 Non-Insulated KS Terminals



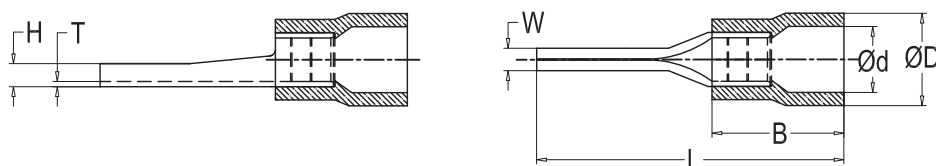
型号 Item No.	尺寸 DIMENSION						
	L	B	W	d	D	H	T
KS10-12	22.0	8.0	4.3	4.5	6.9	2.4	1.1
KS16-13	26.0	10.0	5.5	5.9	8.4	2.6	1.2
KS25-15	33.5	13.5	6.8	7.0	9.5	2.6	1.2
KS35-20	40.5	16.0	8.0	8.7	11.8	3.2	1.5
KS50-20	45.0	19.0	9.5	9.8	13.6	3.8	1.8
KS70-25	55.0	24.0	11.0	11.6	15.8	4.2	2.0
KS95-25	55.0	24.0	12.5	13.7	18.9	5.2	2.5
KS120-34	62.0	26.0	14.3	15.1	21.3	6.2	3.0



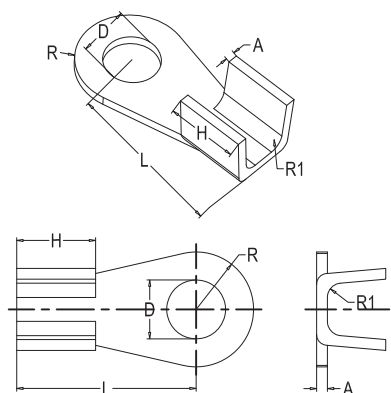
RCCN 日成KSN绝缘端子 KSN Insulated Terminals



型号 Item No.	尺寸 DIMENSION						
	D	d	B	L	W	H	T
KS10-12N	9.0	4.5	15.5	29.5	4.3	2.4	1.1
KS16-13N	10.5	5.9	19.0	35.0	5.5	2.6	1.2
KS25-15N	11.5	7.0	24.5	44.5	6.8	2.6	1.2
KS35-20N	14.0	8.7	29.5	54.0	8.0	3.2	1.5
KS50-20N	15.8	9.8	35.0	61.0	9.5	3.8	1.8
KS70-25N	18.0	11.6	44.0	75.0	11.0	4.2	2.0
KS95-25N	21.6	13.7	44.0	75.0	12.5	5.2	2.5



RCCN 日成OT圆形开口铜端子 OT Cable Lugs High Voltage



型号 Item No.	尺寸 DIMENSION					
	D	H	L	R	R1	A
OT10A-5	5.2	6.0	14.5	4.5	2	0.8
OT20A-6	6.2	7.0	17	5.5	2.5	1
OT30A-6	6.2	8.2	19	5.8	3.2	1.2
OT40A-6	6.2	9.0	19.5	6.2	3.5	1.2
OT50A-6	6.2	9.0	21.5	6.5	3.5	1.2
OT60A-8	8.2	10	23	7	4	1.4
OT80A-8	8.2	11	25	8	4.5	1.5
OT100A-8	8.2	12	29	8.5	5	1.5
OT150A-10	10.2	12	31	9	5.5	1.6
OT200A-10	10.2	14	33	10	6	1.7
OT250A-10	10.2	15.5	36	10.5	6.5	2
OT300A-12	12.2	16	40	11.5	7	2
OT400A-12	12.2	18	43	13	8	2.2
OT500A-14	14.2	20	46	14.5	8.5	2.4
OT600A-16	16.2	22	50.5	16	9.5	2.8
OT800A-18	18.2	26	61	17.5	12.5	3.2
OT1000A-18	18.2	33	66	20.5	15.5	3.8