

# NM1LE

1

NM1LE

(

)

50Hz

415V 16A 800A

0.03A

(

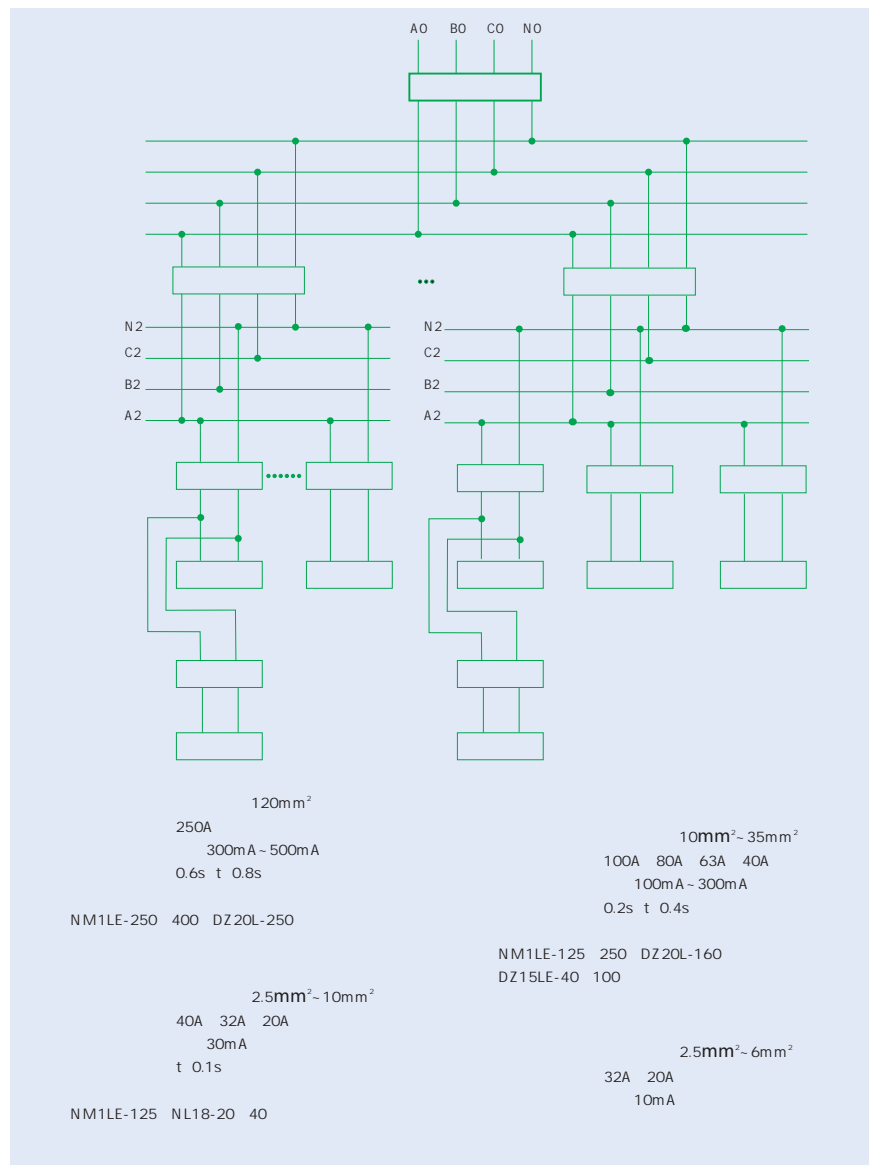
)

( )

( )

GB/T 14048.2 IEC 60947-2

250A





### 3

3.1

3.1.1 + 40

3.1.2 - 5

3.1.3 24h + 35

3.2 2000m

3.3 3

3.4

3.5 + 40 50% + 20  
90%

3.6 5

### 4

4.1 ( 2)

4.2 ( 3)

4.3 ( 4)

(16A ~ 40A )

4.4

4.4.1

5  $I_n$  30mA

(s)	$I_n$	$2I_n$	$5I_n^a$	$10I_n^b$
	0.2	0.15	0.04	0.04

a  $I_n$  30mA  $5I_n$  0.25A

b a 0.25A  $10I_n$  0.5A

4.4.2

$2I_n$  6

(s)	$I_n$ (s)	$2I_n$		$5I_n$ (s)	$10I_n$ (s)	
		(s)	(s)			
	0.1	0.3	0.1	0.3	0.25	0.25
	0.2	0.4	0.2	0.4	0.35	0.35
	0.3	0.5	0.3	0.5	0.45	0.45
	0.1/0.3/0.5	0.3/0.5/0.7	0.1/0.3/0.5	0.3/0.5/0.7	0.25/0.45/0.65	0.25/0.45/0.65
	0.2/0.4/0.6	0.4/0.6/0.8	0.2/0.4/0.6	0.4/0.6/0.8	0.35/0.55/0.75	0.35/0.55/0.75
	0.3/0.5/0.8	0.5/0.7/1	0.3/0.5/0.8	0.5/0.7/1	0.45/0.65/0.95	0.45/0.65/0.95

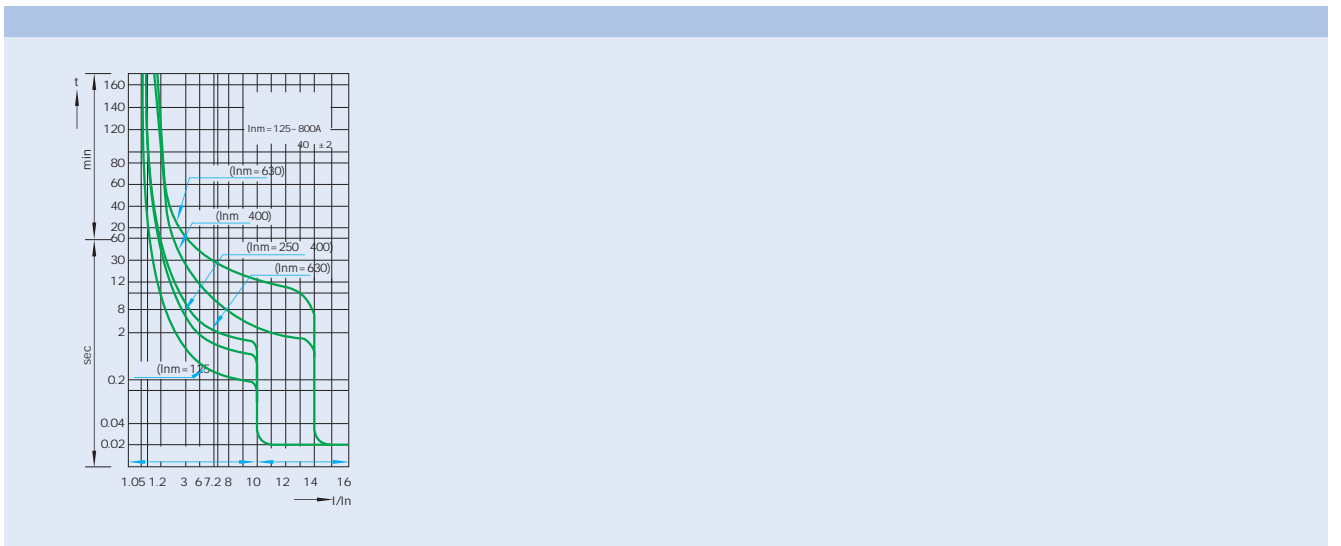
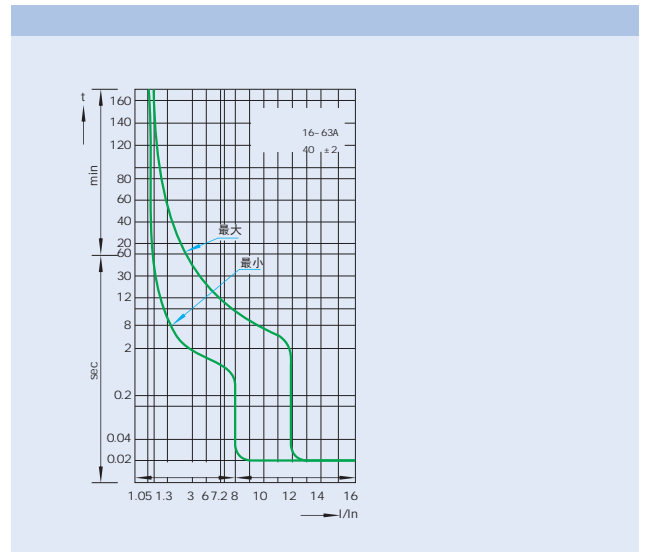
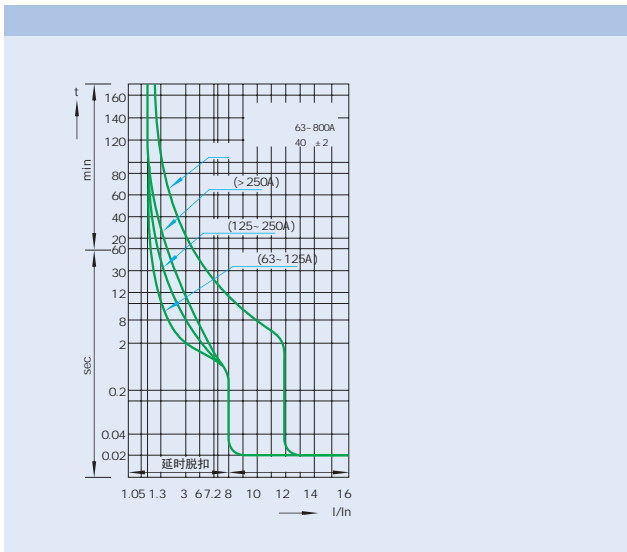
0.3 1 s

4.5

$10(1 \pm 20\%)I_n$

$12(1 \pm 20\%)I_n$

4.6

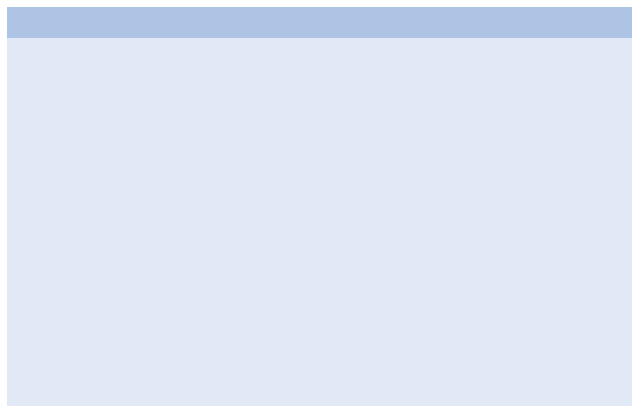
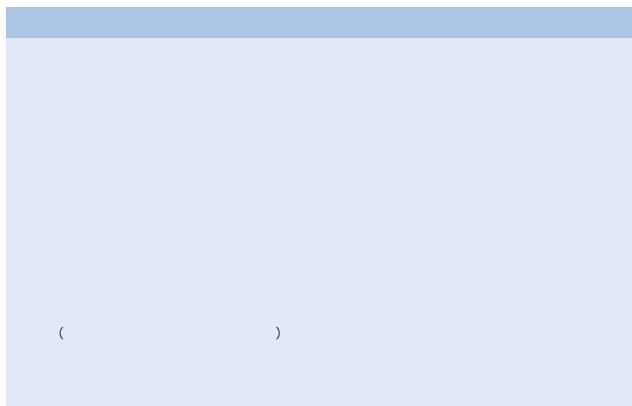


5.1

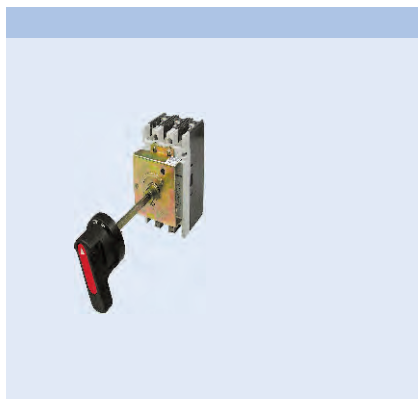
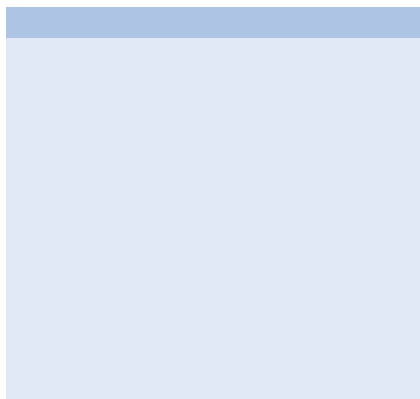
5.1.1



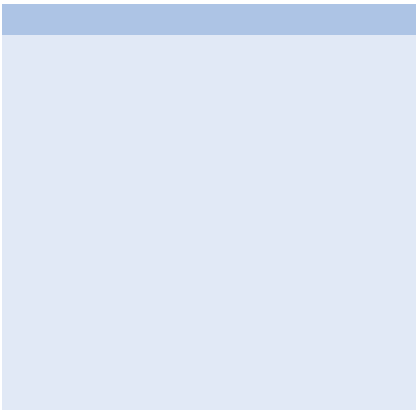
5.1.2



5.1.3



5.1.4

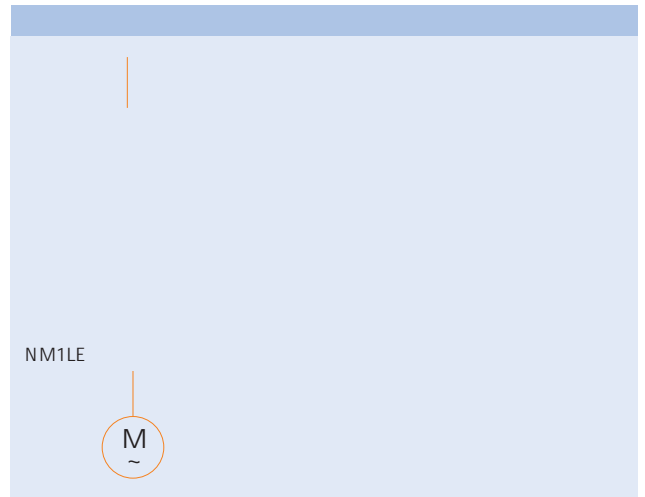
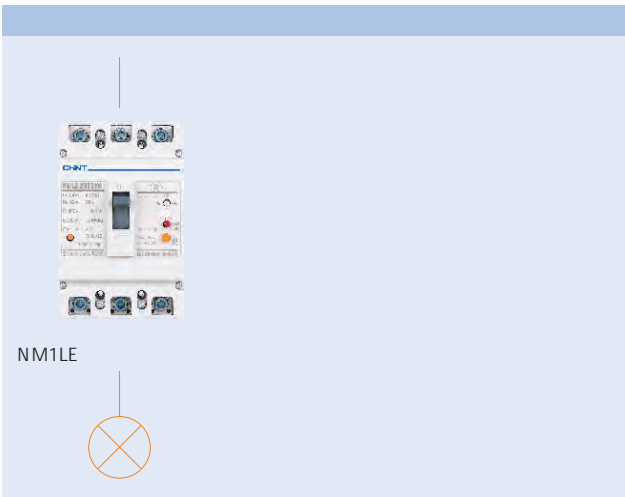


5.1.5

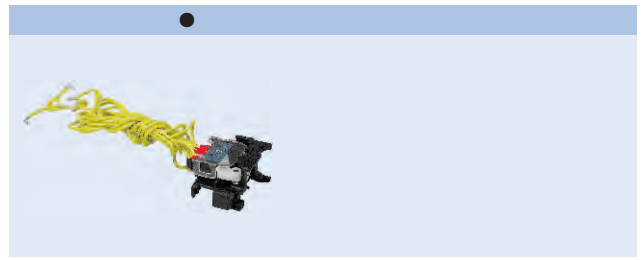


5.1.6

5.1.7



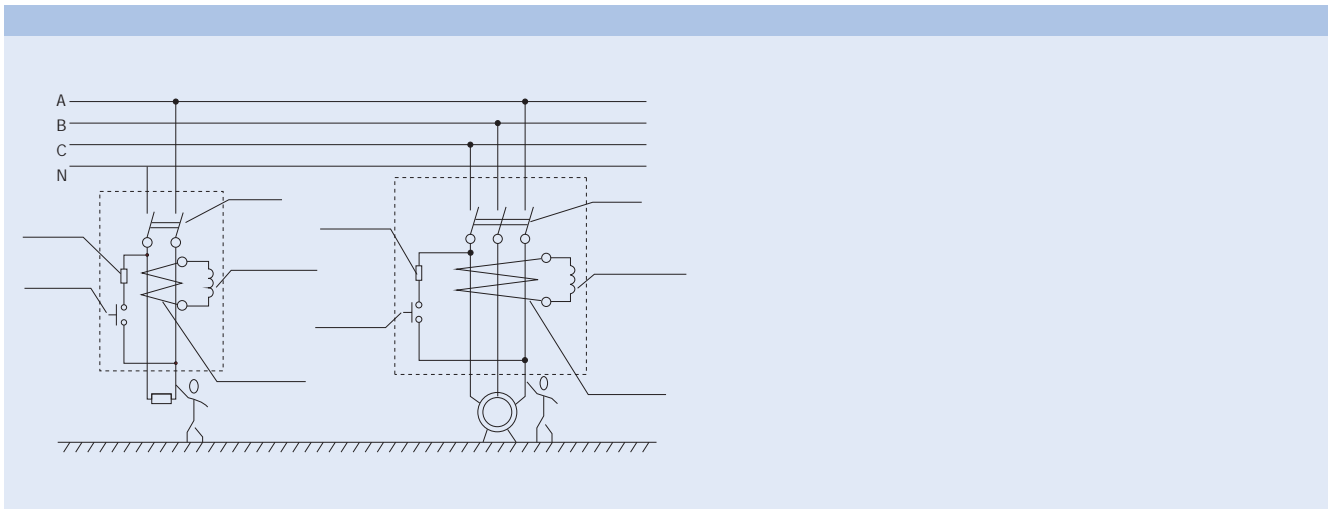
5.1.8



5.2

5.2.1

5.2.2

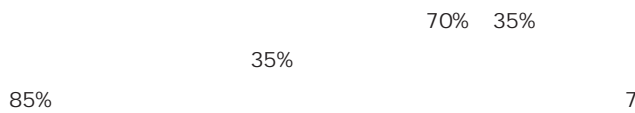


5.2.3

5.3

5.3.1

a.



	A 2	A 4
	AC 230V	AC 400V
	50Hz	50Hz



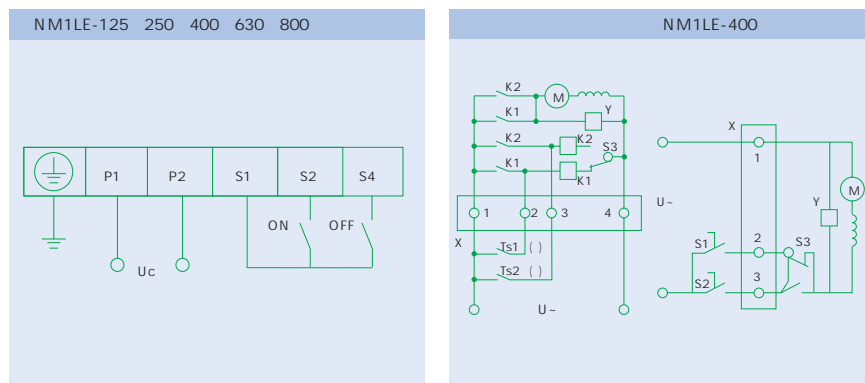
5.4

5.4.1

85%-110%

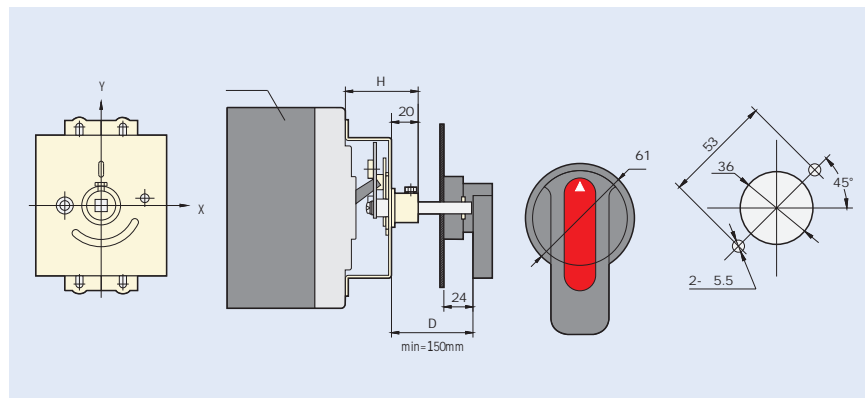
( 10)

( 11)



5.4.2

( 12)

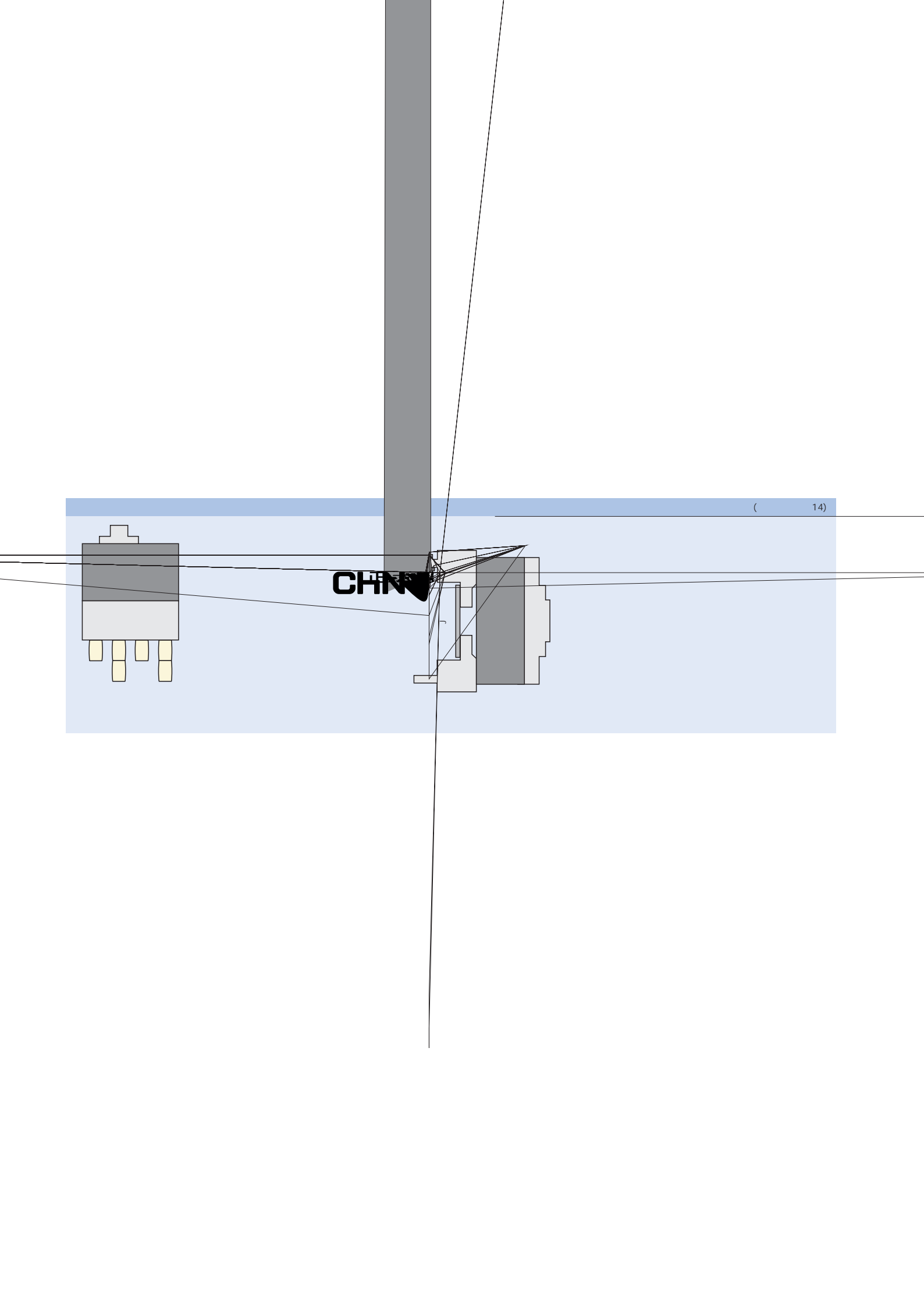


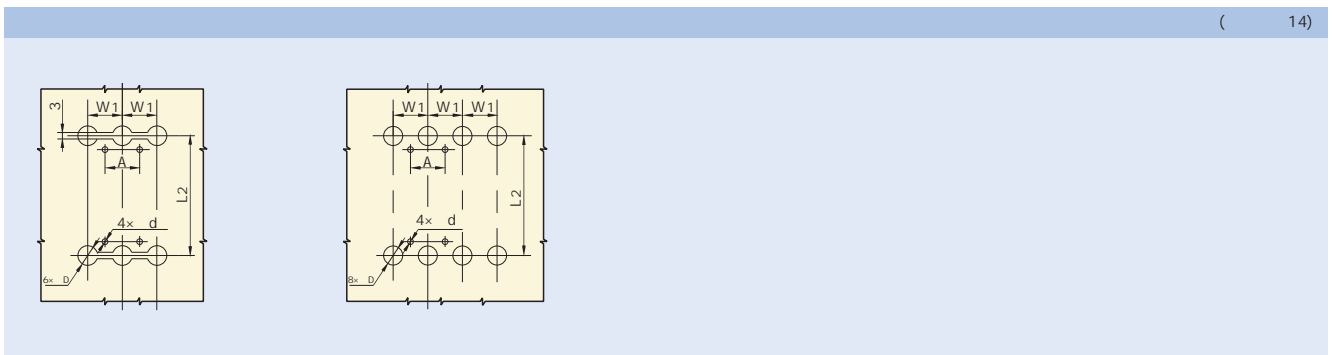
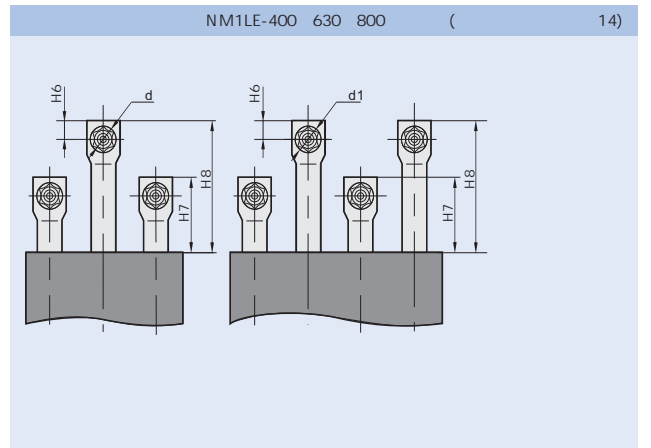
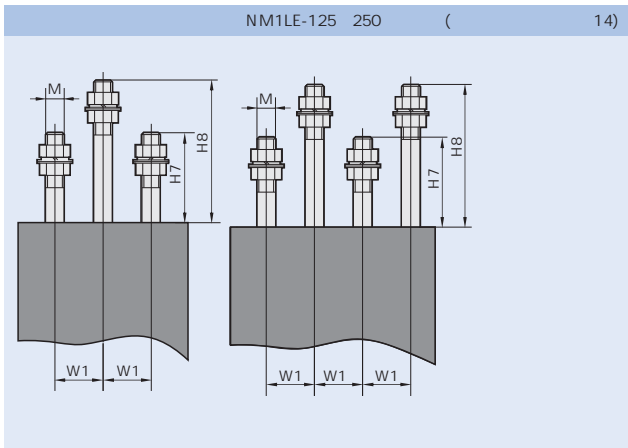


2

30mA

**CHN**





	NM1LE-125S NM1LE-125H	NM1LE-250S NM1LE-250H	NM1LE-400S NM1LE-400H	NM1LE-630H NM1LE-630S	NM1LE-800H NM1LE-800S
W1	30	35	48	70	70
H6	-	-	18	20	20
H7	63	88	57	84	84
H8	96	126	92	84	84
H9	39	47	60	87	87
H10	62	79	88	143.7	143.7
H11	122	134	111	158.7	158.7
H12	13	13	21.5	27	27
M	8	8	-	-	-
d1	-	-	12	16	16
M1	-	M8	M10	M12	M12
d2	6	6	9	12	12
D	-	-	33	37	37
L2	136	144	224	243	243
L4	104	104	163	173	173
L5	168	184	285	305	305
L6	3P:95/4P:125	3P:110/4P:145	3P:150/4P:198	3P:215/4P:285	3P:215/4P:285
K	90	105	60	210	90
K1	-	-	66	95	95
K2	M8*	6	8	16	16
K3	M8*	25	28	44	44
J	72	73	130.4	146	146
A	-	-	44	70	70
d	-	-	7	7	7

\* \*\*

7

- 7.1
- 7.2
- 7.3
- 7.4
- 7.5
- 7.6

	N					S	A (3N)	H	B
1	NM1LE-125S/3328	40A	50mA	0.1s	80	NM1LE-125/3328			
40A		50mA		0.1s			80		
2	NM1LE-125H/43102B	100A	30/50/100mA	0.1s	AC230V	AC230V	50		NM1LE-125H/43102B
			100A		30/50/100mA ( )				0.1s
		(AC230V)		(AC230V)	N	B	50		

NM1LE

NM1LE - 125 H P / 3 3 10 2 100A 30mA 0.4s AC230V AC230V AC230V													
NM1LE	125A 250A 400A 630A 800A	S H	P Z	2 3 4	2 3	00 08 10 20 28 30 40 48 60 70 68	2	(A) 16 20 25 32 40 50 63 80 100 125 160 180 200 225 250 315 350 400 500 630 700 800	(mA) 30 50 100 200 300 500	(s) 0.1 0.2	AC230V AC400V DC230V	AC230V AC230V AC400V DC230V DC240V	AC230V AC400V
63A						NM1LE-125H/4310 63A 50mA 0.4s AC230V		NM1LE-125 50mA		0.4s		125A (AC230V)	